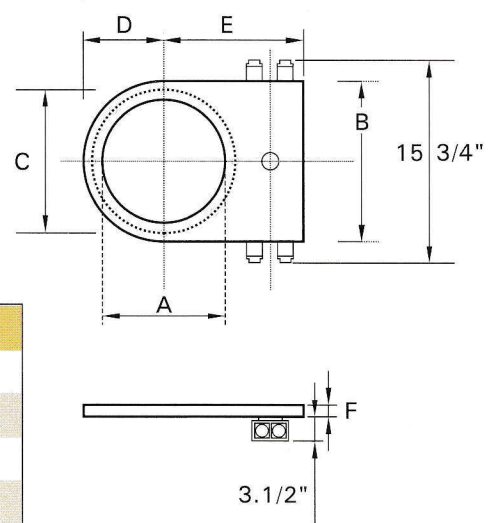


# PNEUMATICALLY ACTUATED VALVES (CVDLP) SERIES

Pneumatically actuated Valves have a simple unique design. The Valve is actuated by 360 degree Pneumatic Rotary Actuator. These Valves are available in 6" to 18" sizes and have diaphragms made of PU Coated Nylon.



CVDLP Series Dimensions							
Model	A	B	C	D	E	Mounting Holes	F (Thks.)
CVDLP-6	6	8.87	8.00	4.44	7.48	6 X 1/16 unc	1.1/2"
CVDLP-8	8	11.00	10.00	5.50	9.85	6 X 5/16 unc	1.1/2"
CVDLP-10	10	14.00	12.87	7.00	12.20	6 X 3/8 unc	1.1/2"
CVDLP-12	12	16.00	14.87	8.00	14.20	8 X 3/8 unc	1.5/8"
CVDLP-14	14	18.50	17.00	9.25	16.00	12 X 1/2 unc	1.3/4"
CVDLP-16	16	21.50	19.50	10.75	18.50	12 X 1/2 unc	1.3/4"
CVDLP-18	18	23.50	21.00	11.75	20.00	12 X 1/2 unc	1.3/4"

*\*All dimensions are in inches*

