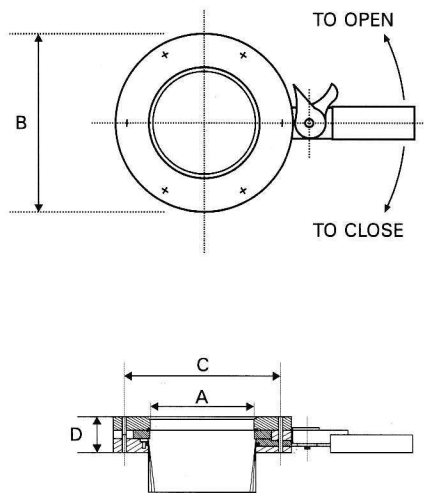
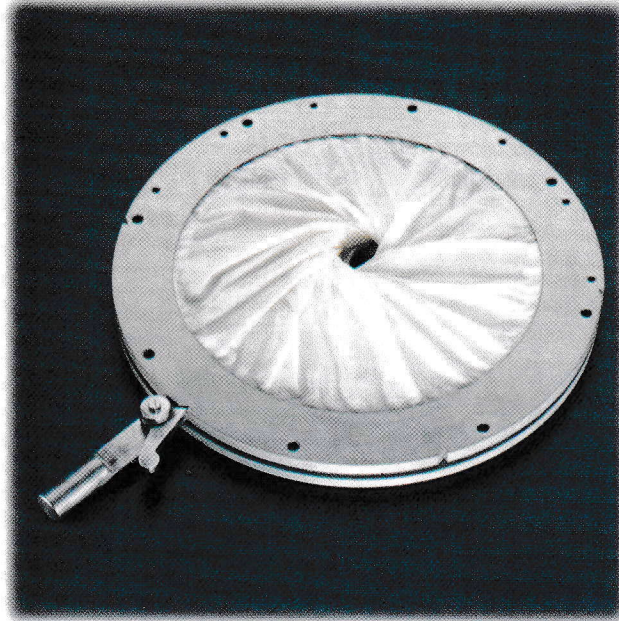


CADCON VALVES DOUBLE LOCK (CVDL) SERIES

The CVDL series is available in Aluminum alloy, SS304 and SS 316. Aluminum Valves have the rotating ring made of MS plated material and the lever is made of Aluminum alloy. The diaphragms to be fitted in these Valves are available in

Nylon
Polyester
PU (Polyurethane) coated Nylon.



CVDL Series Dimensions Material S. S. / Aluminum						
Model	A	B	C	D	Mounting Holes	Wt. in. lbs. (App.)
CVDL-3	3	5.12	4.45	1.02	6 X 5/16 unc	5.7 / 2.2
CVDL-4	4	6.87	6.15	1.02	6 X 5/16 unc	7.1 / 2.9
CVDL-6	6	8.87	8.00	1.10	6 X 5/16 unc	10.6 / 4.0
CVDL-8	8	11.00	10.00	1.10	6 X 5/16 unc	14.6 / 6.2
CVDL-10	10	14.00	12.87	1.10	6 X 3/8 unc	22.9 / 8.2
CVDL-12	12	16.00	14.87	1.10	8 X 3/8 unc	26.9 / 9.9
CVDL-14	14	18.50	16.25	1.38	10 X 1/2 unc	51.3 / 19
CVDL-16	16	21.00	19.50	1.50	12 X 1/2 unc	78.3 / 29
CVDL-18	18	23.00	21.50	1.50	12 X 1/2 unc	83.7/31

**All dimensions are in inches*

OPTIONAL FEATURE

An optional feature for both of these series is a guide/ wear sleeve passing through the orifice of the diaphragm. The Sleeve will carry the material (e.g. powders, granules etc) without direct contact with the diaphragm. This feature helps to enhance the life of the diaphragm.

